

01T.044

| Pos. | Code       | Q.ty | Descrizione    | Description | Description   | Beschreibung   | Remarks |
|------|------------|------|----------------|-------------|---------------|----------------|---------|
| 1    | 22601001/0 | 1    | PROTEZIONE     | PROTECTION  | PROTECTION    | SCHUTZ         |         |
| 2    | 12691800/0 | 3/2  | VITE           | SCREW       | VIS           | SCHRAUBE       |         |
| -    | 12692080/0 | 0/1  | VITE           | SCREW       | VIS           | SCHRAUBE       |         |
| 3    | 12521350/0 | 3    | RONDELLA       | WASHER      | RONDELLE      | SCHEIBE        |         |
| 4    | 81001651/0 | 1    | CHASSIS ROSSO  | DECK RED    | CHÂSSIS ROUGE | GEHÄUSE ROTES  |         |
| -    | 81001653/0 | 1    | CHASSIS GIALLO | DECK YELLOW | CHÂSSIS AUNE  | GEHÄUSE GELBES |         |
| -    | 81001655/0 | 1    | CHASSIS VERDE  | DECK GREEN  | CHÂSSIS VERT  | GEHÄUSE GRÜNES |         |



## GLOBAL GARDEN PRODUCTS

01T.044

| Pos. | Code       | Q.ty | Descrizione                            | Description                          | Description                        | Beshreibung                              | Remarks       |
|------|------------|------|--|--------------------------------------|------------------------------------|--|---------------|
| 4    | 81001843/0 | 1    | CHASSIS ROSSO CON FORI PER MASCHERINA  | DECK RED WITH HOLES FOR HALF-MASK    | CHÂSSIS ROUGE AVEC TROUS POUR LOUP | GEHÄUSE ROT MIT LOCHEN FÜR KLEINE MASKE  |               |
| -    | 81001844/0 | 1    | CHASSIS GIALLO CON FORI PER MASCHERINA | DECK YELLOW WITH HOLES FOR HALF-MASK | CHÂSSIS JAUNE AVEC TROUS POUR LOUP | GEHÄUSE GELB MIT LOCHEN FÜR KLEINE MASKE |               |
| -    | 81001845/0 | 1    | CHASSIS VERDE CON FORI PER MASCHERINA  | DECK GREEN WITH HOLES FOR HALF-MASK  | CHÂSSIS VERT AVEC TROUS POUR LOUP  | GEHÄUSE GRÜN MIT LOCHEN FÜR KLEINE MASKE |               |
| 5    | 12155000/0 | 3    | DADO                                   | NUT                                  | ECROU                              | MUTTER                                   |               |
| 6    | 22226050/0 | 1    | MASCHERINA                             | MASK                                 | MESQUE                             | MASKE                                    |               |
| 7    | 12523040/0 | 5    | RONDELLA                               | WASHER                               | RONDELLE                           | SCHEIBE                                  |               |
| 8    | 12735402/0 | 4    | VITE                                   | SCREW                                | VIS                                | SCHRAUBE                                 |               |
| 9A   | 22038400/1 | 2    | BRONZINA                               | BRASS                                | DOUILLE                            | BUCHSE                                   |               |
| 9B   | 22038399/0 | 2    | BRONZINA                               | BRASS                                | DOUILLE                            | BUCHSE                                   |               |
| 10   | 22545156/0 | 2    | PIASTRINA                              | PLATE                                | PLAQUETTE                          | PLATTE                                   |               |
| 11   | 12731350/0 | 8    | VITE                                   | SCREW                                | VIS                                | SCHRAUBE                                 |               |
| 12   | 12729600/0 | 2    | VITE                                   | SCREW                                | VIS                                | SCHRAUBE                                 |               |
| 13   | 22034000/0 | 1    | ATTACCO ACQUA LAVAGGIO                 | WASHING CONNECTION                   | ATTAQUE LAVAGE                     | WASCHENVERBINDUNG                        |               |
| 14   | 19035000/0 | 1    | ANELLO OR                              | OR RING                              | BAGUE OR                           | RING OR                                  |               |
| 15   | 22545142/0 | 2    | PIASTRINA                              | PLATE                                | PLAQUETTE                          | PLATTE                                   |               |
| 16   | 22595352/0 | 1    | PORTINA CHIUSURA                       | INSPECTION DOOR                      | VOYANT DE VISITE                   | ABDECKPLATTE                             |               |
| 17   | 22060200/0 | 1    | CARTER CINGHIA                         | PROTECTION, BELT                     | PROTECTION COURROIRE               | SCHUTZ, RIEMEN                           |               |
| 18   | 12728522/0 | 2    | VITE                                   | SCREW                                | VIS                                | SCHRAUBE                                 |               |
| 19   | 12789000/0 | 1    | VITE                                   | SCREW                                | VIS                                | SCHRAUBE                                 |               |
| 20   | 22108205/0 | 1    | CONVOGLIATORE                          | CONVEYOR                             | CONVOYEUR                          | KONVEYOR                                 |               |
| 21   | 12523020/0 | 1    | RONDELLA                               | WASHER                               | RONDELLE                           | SCHEIBE                                  |               |
| 22   | 12154330/0 | 1    | DADO                                   | NUT                                  | ECROU                              | MUTTER                                   |               |
| 23   | 22517856/0 | 1    | PERNO                                  | PIN                                  | PIVOT                              | BOLZEN                                   |               |
| 24   | 22600023/2 | 1    | PARASASSI                              | STONE-GUARD                          | PARE-PIERRES                       | PRALLBLECH                               |               |
| 25   | 22450270/0 | 1    | MOLLA                                  | SPRING                               | RESSORT                            | FEDER                                    |               |
| 26   | 12293200/0 | 2    | DADO                                   | NUT                                  | ECROU                              | MUTTER                                   |               |
| 27   | 22399803/0 | 2    | MANOPOLINA                             | KNOB                                 | POIGNÉE                            | GRIFF                                    |               |
| 28   | 22680006/1 | 2    | RONDELLA                               | WASHER                               | RONDELLE                           | SCHEIBE                                  |               |
| 29   | 81000634/0 | 1    | CAVO FRENO MOTORE                      | CABLE, THREAD MOTOR BRAKE            | CABLE FREIN MOTEUR                 | KABEL, MOTORBREMSE                       | (B&S QUANTUM) |
| -    | 81000641/0 | 1    | CAVO FRENO MOTORE                      | CABLE, THREAD MOTOR BRAKE            | CABLE FREIN MOTEUR                 | KABEL, MOTORBREMSE                       | (HONDA)       |
| -    | 81000629/1 | 1    | CAVO FRENO MOTORE                      | CABLE, THREAD MOTOR BRAKE            | CABLE FREIN MOTEUR                 | KABEL, MOTORBREMSE                       | (TECUMSEH)    |
| 30   | 81007160/0 | 1    | CAVO ACCELERATORE                      | CABLE, TROTTLE                       | CABLE, ACCELERATEUR                | KABLE, BESCHLEUNIGER                     |               |
| 31   | 12735105/0 | 2    | VITE                                   | SCREW                                | VIS                                | SCHRAUBE                                 |               |
| 32   | 22806612/0 | 1    | SUPPORTO                               | SUPPORT                              | SUPPORT                            | HALTER                                   |               |
| 33   | 12728460/0 | 1    | VITE                                   | SCREW                                | VIS                                | SCHRAUBE                                 |               |
| 34   | 12523040/0 | 2    | RONDELLA                               | WASHER                               | RONDELLE                           | SCHEIBE                                  |               |
| 35   | 12154510/0 | 1    | DADO                                   | NUT                                  | ECROU                              | MUTTER                                   |               |
| 36   | 22041966/0 | 2    | BUSSOLA                                | BUSH                                 | DOUILLE                            | BUCHSE                                   |               |
| 37   | 81003291/2 | 1    | LEVA FRENO MOTORE                      | LEVER, MOTOR BRAKE                   | LEVIER FREIN MOTEUR                | HEBEL, MOTORBREMSE                       |               |
| 38   | 22291050/0 | 1    | IMPUGNATURA MANICO NERA                | HANDGRIP BLACK                       | POIGNÉE NOIRE                      | HANDGRIFF SCHWARZER                      |               |
| -    | 22291051/0 | 1    | IMPUGNATURA MANICO ROSSA               | HANDGRIP RED                         | POIGNÉE ROUGE                      | HANDGRIFF RÖTER                          |               |
| -    | 22291052/0 | 1    | IMPUGNATURA MANICO GIALLA              | HANDGRIP YELLOW                      | POIGNÉE JAUNE                      | HANDGRIFF GELBER                         |               |
| 39   | 81007280/2 | 1    | LEVA, ACCELERATORE                     | LEVER, THROTTLE                      | LEVIER, ACCELERATEUR               | HEBEL, BESHLEUNIGER                      |               |
| 40   | 22120152/0 | 1    | CRUSCOTTO GIALLO                       | DASH BOARD YELLOW                    | CONSOLE JAUNE                      | KONSOLE GELBE                            |               |
| -    | 22120154/0 | 1    | CRUSCOTTO ROSSO                        | DASH BOARD RED                       | CONSOLE ROUGE                      | KONSOLE ROTE                             |               |
| -    | 22120158/0 | 1    | CRUSCOTTO NERO                         | DASH BOARD BLACK                     | CONSOLE NOIRE                      | KONSOLE SCHWARZE                         |               |
| 41   | 14356744/0 | 1    | ETICHETTA                              | LABEL                                | ETIQUETTE                          | ETIKETTE                                 | (B&S)         |
| -    | 14356743/0 | 1    | ETICHETTA                              | LABEL                                | ETIQUETTE                          | ETIKETTE                                 | (HONDA)       |
| -    | 14357646/0 | 1    | ETICHETTA                              | LABEL                                | ETIQUETTE                          | ETIKETTE                                 | (TECUMSEH)    |
| 42   | 22981467/0 | 1    | PIASTRINA                              | PLATE                                | PLAQUETTE                          | PLATTE                                   |               |



## GLOBAL GARDEN PRODUCTS

01T.044

| Pos. | Code       | Q.ty | Descrizione                 | Description               | Description                  | Beschreibung            | Remarks |
|------|------------|------|-----------------------------|---------------------------|------------------------------|-------------------------|---------|
| 43   | 12791500/0 | 1    | VITE                        | SCREW                     | VIS                          | SCHRAUBE                |         |
| 44   | 12530060/0 | 1    | RONDELLA ELASTICA           | ELASTIC WASHER            | RONDELLE ELASTIQUE           | ELASTISCHE SCHEIBE      |         |
| 46   | 22943006/0 | 1    | VITE                        | SCREW                     | VIS                          | SCHRAUBE                |         |
| 47   | 12154330/0 | 1    | DADO                        | NUT                       | ECROU                        | MUTTER                  |         |
| 48   | 22430309/0 | 1    | MOLLA GUIDA                 | GUIDE SPRING              | RESSORT DE GUIDE             | FEDER FÜHRER            |         |
| 49   | 12819120/0 | 2    | VITE                        | SCREW                     | VIS                          | SCHRAUBE                |         |
| 50   | 22778397/0 | 1    | STAFFA SX                   | BRACKET, L                | BRIDE G                      | PRATZE, LINKE           |         |
| 51   | 81006859/0 | 1    | MANICO, PARTE SUP           | HANDLE, UPPER PART        | MANCHERON, PARTIE SUPERIEURE | HOLM, OBERTEIL          |         |
| 52   | 12155000/0 | 4    | DADO                        | NUT                       | ECROU                        | MUTTER                  |         |
| 53   | 22778396/0 | 1    | STAFFA DX                   | BRACKET, R                | BRIDE D                      | PRATZE, RECHTE          |         |
| 54   | 12793301/0 | 2    | VITE                        | SCREW                     | VIS                          | SCHRAUBE                |         |
| —    | 81008609/0 | 1    | DOTAZIONE VITERIA CRUSCOTTO | OUTFIT, DASH-BOARD SCREWS | DOTATION VISSERIE CONSOLLE   | SATZ, KONSOLE SCHRAUBEN |         |
| —    | 81008610/0 | 1    | DOTAZIONE VITERIA           | OUTFIT, SCREWS            | DOTATION VISSERIE            | SATZ, SCHRAUBEN         |         |

## VARIANTE MANICO - HANDLE MODIFICATION - MODIFICATION POIGNEE - ÄNDERUNGEN GRIFFENSTEEL

01T.045

| Pos. | Code       | Q.ty | Descrizione                 | Description               | Description                  | Beschreibung            | Remarks       |
|------|------------|------|-----------------------------|---------------------------|------------------------------|-------------------------|---------------|
| 101  | 22430309/0 | 1    | MOLLA GUIDA                 | GUIDE SPRING              | RESSORT DE GUIDE             | FEDER FÜHRER            |               |
| 102  | 22120148/0 | 1    | CRUSCOTTO GIALLO            | DASH BOARD YELLOW         | CONSOLE JAUNE                | KONSOLE GELBE           |               |
| -    | 22120150/0 | 1    | CRUSCOTTO ROSSO             | DASH BOARD RED            | CONSOLE ROUGE                | KONSOLE ROTE            |               |
| -    | 22120164/0 | 1    | CRUSCOTTO NERO              | DASH BOARD BLACK          | CONSOLE NOIRE                | KONSOLE SCHWARZE        |               |
| 103  | 12726388/0 | 1    | VITE                        | SCREW                     | VIS                          | SCHRAUBE                |               |
| 104  | 81003291/2 | 1    | LEVA FRENO MOTORE           | LEVER, MOTOR BRAKE        | LEVIER FREIN MOTEUR          | HEBEL, MOTORBREMSE      |               |
| 105  | 22291050/0 | 1    | IMPUGNATURA MANICO NERA     | HANDGRIP BLACK            | POIGNÉE NOIRE                | HANDGRIFF SCHWARZER     |               |
| -    | 22291051/0 | 1    | IMPUGNATURA MANICO ROSSA    | HANDGRIP RED              | POIGNÉE ROUGE                | HANDGRIFF RÖTER         |               |
| -    | 22291052/0 | 1    | IMPUGNATURA MANICO GIALLA   | HANDGRIP YELLOW           | POIGNÉE JAUNE                | HANDGRIFF GELBER        |               |
| 106  | 22399801/0 | 1    | MANOPOLINA                  | KNOB                      | POIGNÉE                      | GRIFF                   |               |
| 107  | 12290800/0 | 1    | DADO                        | NUT                       | ECROU                        | MUTTER                  |               |
| 108  | 22041966/0 | 2    | BUSSOLA                     | BUSH                      | DOUILLE                      | BUCHSE                  |               |
| 109  | 12523020/0 | 2    | RONDELLA                    | WASHER                    | RONDELLE                     | SCHEIBE                 |               |
| 110  | 12728460/0 | 1    | VITE                        | SCREW                     | VIS                          | SCHRAUBE                |               |
| 111  | 81007091/0 | 1    | CAVO ACCELERATORE           | CABLE, TROTTLER           | CABLE, ACCELERATEUR          | KABEL, BESCHLEUNIGER    | (B&S)         |
| -    | 81007092/0 | 1    | CAVO ACCELERATORE           | CABLE, TROTTLER           | CABLE, ACCELERATEUR          | KABEL, BESCHLEUNIGER    | (HONDA)       |
| 112  | 81007022/1 | 1    | MANICO, PARTE SUP           | HANDLE, UPPER PART        | MANCHERON, PARTIE SUPERIEURE | HOLM, OBERTEIL          |               |
| 113  | 12154330/0 | 1    | DADO                        | NUT                       | ECROU                        | MUTTER                  |               |
| 114  | 22943006/0 | 1    | VITE                        | SCREW                     | VIS                          | SCHRAUBE                |               |
| 115  | 14356693/0 | 1    | ETICHETTA                   | LABEL                     | ETIQUETTE                    | ETIKETTE                | (B&S)         |
| -    | 14356692/0 | 1    | ETICHETTA                   | LABEL                     | ETIQUETTE                    | ETIKETTE                | (HONDA)       |
| -    | 14357387/0 | 1    | ETICHETTA                   | LABEL                     | ETIQUETTE                    | ETIKETTE                | (TECUMSEH)    |
| 116  | 81000634/0 | 1    | CAVO FRENO MOTORE           | CABLE, THREAD MOTOR BRAKE | CABLE FREIN MOTEUR           | KABEL, MOTORBREMSE      | (B&S QUANTUM) |
| -    | 81000628/0 | 1    | CAVO FRENO MOTORE           | CABLE, THREAD MOTOR BRAKE | CABLE FREIN MOTEUR           | KABEL, MOTORBREMSE      | (HONDA)       |
| -    | 81000629/1 | 1    | CAVO FRENO MOTORE           | CABLE, THREAD MOTOR BRAKE | CABLE FREIN MOTEUR           | KABEL, MOTORBREMSE      | (TECUMSEH)    |
| 117  | 12291000/0 | 2    | DADO                        | NUT                       | ECROU                        | MUTTER                  |               |
| 118  | 12581500/0 | 2    | GROWER                      | GROWER                    | GROWER                       | FEDERRING               |               |
| 119  | 12523020/0 | 2    | RONDELLA                    | WASHER                    | RONDELLE                     | SCHEIBE                 |               |
| —    | 81008499/1 | 1    | DOTAZIONE VITERIA CRUSCOTTO | OUTFIT, DASH-BOARD SCREWS | DOTATION VISSERIE CONSOLLE   | SATZ, KONSOLE SCHRAUBEN |               |



## GLOBAL GARDEN PRODUCTS

### VARIANTE CRUSCOTTO - DASH BOARD MODIFICATION - MODIFICATION CONSOLE - ÄNDERUNGEN KONSOLE

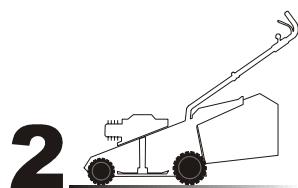
01T.046

| Pos. | Code       | Q.ty | Descrizione      | Description       | Description   | Beschreibung     | Remarks |
|------|------------|------|------------------|-------------------|---------------|------------------|---------|
| 151  | 22120172/0 | 1    | CRUSCOTTO NERO   | DASH BOARD BLACK  | CONSOLE NOIRE | KONSOLE SCHWARZE |         |
| -    | 22120173/0 | 1    | CRUSCOTTO ROSSO  | DASH BOARD RED    | CONSOLE ROUGE | KONSOLE ROTE     |         |
| -    | 22120174/0 | 1    | CRUSCOTTO GIALLO | DASH BOARD YELLOW | CONSOLE JAUNE | KONSOLE GELBE    |         |

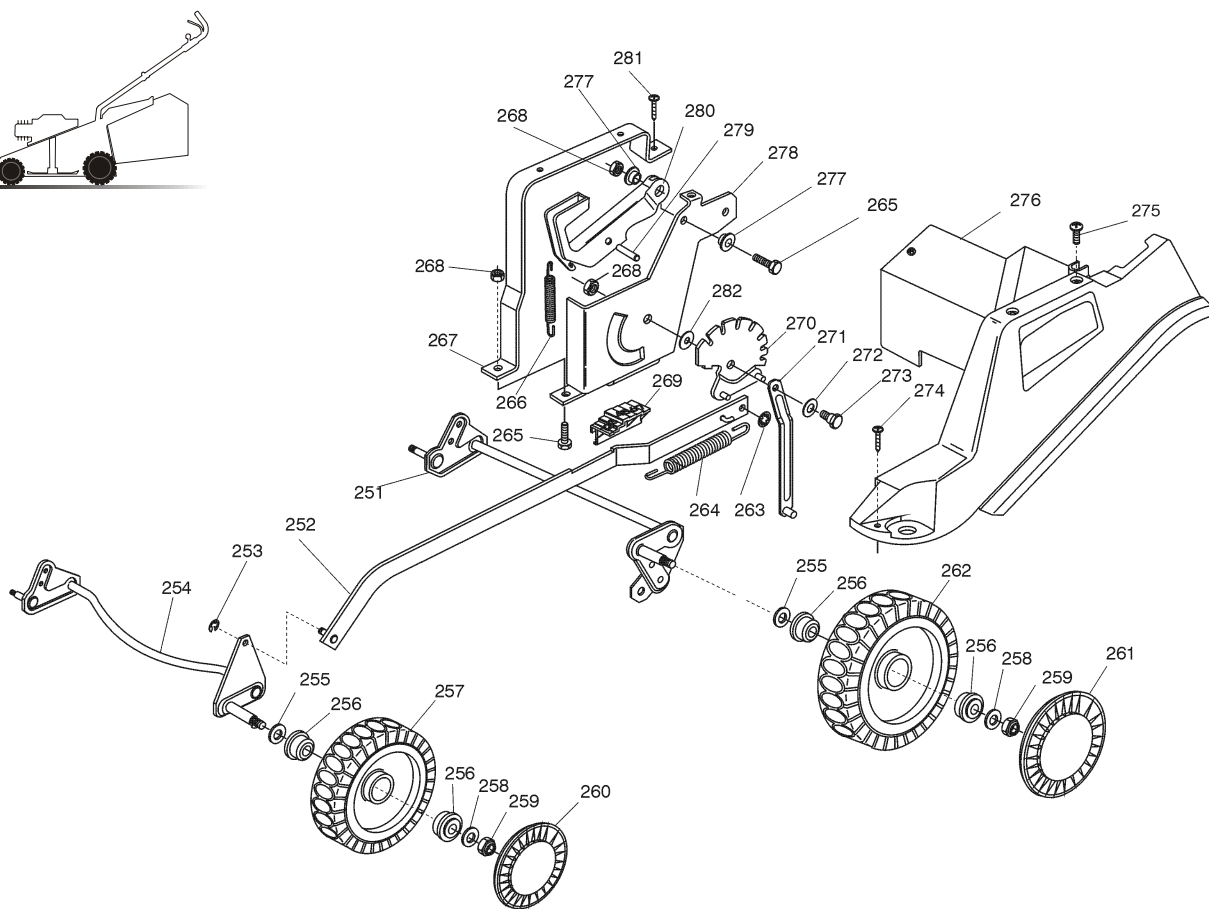
### VARIANTE MULCHING - MULCHING MODIFICATION - MODIFICATION MULCHING - ÄNDERUNGEN MULCHING

01T.044

| Pos. | Code       | Q.ty | Descrizione | Description | Description | Beschreibung | Remarks |
|------|------------|------|-------------|-------------|-------------|--------------|---------|
| 171  | 22140224/0 | 1    | TAPPO       | CAP         | BOUCHON     | GUMMISTOPFEN |         |



02D\_020



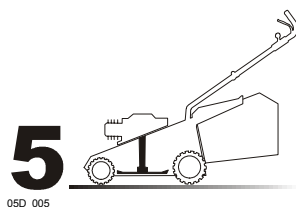
02T.028

| Pos. | Code       | Q.ty | Descrizione                 | Description                    | Description                   | Beschreibung            | Remarks             |
|------|------------|------|-----------------------------|--------------------------------|-------------------------------|-------------------------|---------------------|
| 251  | 81002804/1 | 1    | ASSE RUOTE POSTERIORE       | AXLE, REAR WHEELS              | AXE ROUES ARRIERE             | ACHSE, HINTERRAD        |                     |
| 252  | 81001134/0 | 1    | ASTA COMANDO REGOL. ALTEZZA | ROD, HEIGHT ADJUSTMENT CONTROL | TIGE COMMANDE REGLAGE HAUTEUR | STANGE, HÖHEVERSTELLUNG |                     |
| -    | 81001136/0 | 1    | ASTA COMANDO REGOL. ALTEZZA | ROD, HEIGHT ADJUSTMENT CONTROL | TIGE COMMANDE REGLAGE HAUTEUR | STANGE, HÖHEVERSTELLUNG | (HONDA GCV 135/160) |
| 253  | 12000930/0 | 2    | ANELLO ELASTICO             | SNAP RING                      | ANNEAU RESSORT                | SPRENGRING              |                     |
| 254  | 81002801/0 | 1    | ASSE RUOTE ANTERIORE        | AXLE, FRONT WHEELS             | AXE ROUES AVANT               | ACHSE, VORDERRAD        |                     |
| 255  | 12530150/0 | 4    | RONDELLA ELASTICA           | ELASTIC WASHER                 | RONDELLE ELASTIQUE            | ELASTISCHE SCHEIBE      |                     |
| 256  | 22122200/0 | 8    | CUSCINETTO                  | BEARING                        | COUSSINET                     | LAGER                   |                     |
| 257  | 81007317/0 | 2    | RUOTA Ø 170                 | WHEEL Ø 170                    | ROUE Ø 170                    | RAD. Ø 170              |                     |
| 258  | 12521350/0 | 4    | RONDELLA                    | WASHER                         | RONDELLE                      | SCHEIBE                 |                     |
| 259  | 12155000/0 | 4    | DADO                        | NUT                            | ECROU                         | MUTTER                  |                     |
| 260  | 22110282/0 | 2    | COPRIMOZZO BIANCO           | HUB CAP WHITE                  | COUVRE-MOYEU BLANC            | RADKAPPE WEIßE          |                     |
| -    | 22110288/0 | 2    | COPRIMOZZO GIALLO           | HUB CAP YELLOW                 | COUVRE-MOYEU JAUNE            | RADKAPPE GELBE          |                     |
| -    | 22110290/0 | 2    | COPRIMOZZO ROSSO            | HUB CAP RED                    | COUVRE-MOYEU ROUGE            | RADKAPPE ROTE           |                     |

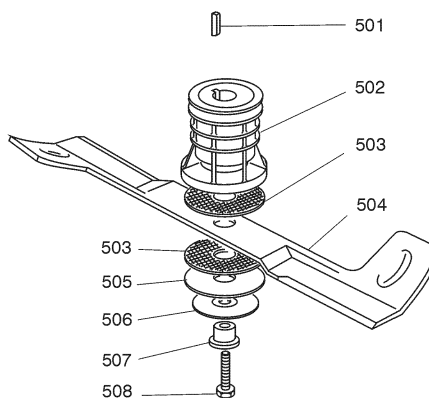


02T.028

| Pos. | Code       | Q.ty | Descrizione                  | Description                | Description             | Beschreibung            | Remarks |
|------|------------|------|------------------------------|----------------------------|-------------------------|-------------------------|---------|
| 261  | 22110281/0 | 2    | COPRIMOZZO BIANCO            | HUB CAP WHITE              | COUVRE-MOYEU BLANC      | RADKAPPE WEIßE          |         |
| -    | 22110287/0 | 2    | COPRIMOZZO GIALLO            | HUB CAP YELLOW             | COUVRE-MOYEU JAUNE      | RADKAPPE GELBE          |         |
| -    | 22110289/0 | 2    | COPRIMOZZO ROSSO             | HUB CAP RED                | COUVRE-MOYEU ROUGE      | RADKAPPE ROTE           |         |
| 262  | 81007318/1 | 2    | RUOTA Ø 210                  | WHEEL Ø 210                | ROUE Ø 210              | RAD. Ø 210              |         |
| 263  | 12604899/0 | 2    | ANELLO ELASTICO              | ELASTIC RING               | ANNEAU ELASTIQUE        | ELASTISCHER RING        |         |
| 264  | 22446180/0 | 1    | MOLLA                        | SPRING                     | RESSORT                 | FEDER                   |         |
| 265  | 12793301/0 | 3    | VITE                         | SCREW                      | VIS                     | SCHRAUBE                |         |
| 266  | 22446175/0 | 1    | MOLLA                        | SPRING                     | RESSORT                 | FEDER                   |         |
| 267  | 22785113/0 | 1    | SUPPORTO MANIGLIA            | SUPPORT, HANDLE            | SUPPORT POIGNÉE         | HALTER, GRIFF           |         |
| 268  | 12293201/0 | 4    | DADO                         | NUT                        | ECROU                   | MUTTER                  |         |
| 269  | 22570200/0 | 1    | PLACCHETTA POSIZIONI         | PLATE, CUTTING POSITIONS   | PLAQUETTE REGLAGE       | PLATTE, HÖHEVERSTELLUNG |         |
| 270  | 81000479/0 | 1    | SETTORE DI REGOLAZIONE       | SECTOR, HEIGHT ADJUSTMENT  | SECTEUR REGLAGE         | SEKTOR, HÖHEVERSTELLUNG |         |
| 271  | 81001269/0 | 1    | ASTA ASSE POSTERIORE         | ROD, REAR WHEELS AXLE      | TIGE, AXE ROUE ARRIERES | STANGE, HINTERRADACHSE  |         |
| 272  | 22672151/0 | 1    | RONDELLA                     | WASHER                     | RONDELLE                | SCHEIBE                 |         |
| 273  | 22529662/0 | 1    | PERNO FULCRO                 | FULCRUM PIN                | PIVOT                   | BOLZEN                  |         |
| 274  | 12728519/0 | 3    | VITE                         | SCREW                      | VIS                     | SCHRAUBE                |         |
| 275  | 12728520/0 | 1    | VITE                         | SCREW                      | VIS                     | SCHRAUBE                |         |
| 276  | 22060144/1 | 1    | CARTER REGOLAZIONE           | DECK, ADJUSTMENT           | CHÂSSIS REGLAGE         | GEHÄUSE VERSTELLUNG     |         |
| 277  | 25038002/1 | 2    | BUSSOLA                      | BUSH                       | DOUILLE                 | BUCHSE                  |         |
| 278  | 22785109/0 | 1    | SUPPORTO REGOLAZIONE ALTEZZA | SUPPORT, HEIGHT ADJUSTMENT | SUPPORT REGLAGE         | HALTER, HÖHEVERSTELLUNG |         |
| 279  | 12622640/0 | 1    | SPINA                        | PIN                        | GOUPILLE                | STIFT                   |         |
| 280  | 22393611/1 | 1    | MANIGLIA                     | HANDLE                     | POIGNÉE                 | GRIFF                   |         |
| 281  | 12729600/0 | 1    | VITE                         | SCREW                      | VIS                     | SCHRAUBE                |         |
| 282  | 22672152/0 | 1    | RONDELLA                     | WASHER                     | RONDELLE                | SCHEIBE                 |         |



05D\_005



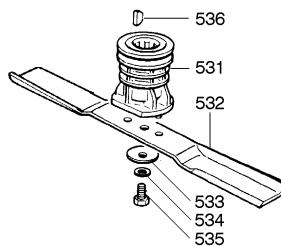
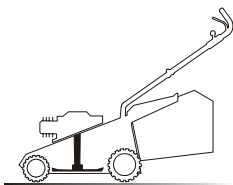
05T.020

| Pos. | Code       | Q.ty | Descrizione       | Description   | Description       | Beschreibung     | Remarks |
|------|------------|------|-------------------|---------------|-------------------|------------------|---------|
| 501  | 12139100/0 | 1    | LINGUETTA         | FEATHER       | CLAVETTE          | KEIL             |         |
| 502  | 22465611/0 | 1    | MOZZO             | HUB           | MOYEU             | HALTER           |         |
| 503  | 22672110/1 | 2    | RONDELLA FRIZIONE | CLUTCH WASHER | RONDELLE FRICTION | KUPPLUNGSSCHEIBE |         |
| 504  | 81004398/0 | 1    | COLTELLO ALETTATO | BLADE WINGED  | LAME AILETTÉE     | MESSER FLÜGEL    |         |
| 505  | 12508120/0 | 1    | MOLLA A TAZZA     | CUPPED SPRING | RESSORT           | TELLER FEDER     |         |
| 506  | 22672105/0 | 1    | RONDELLA          | WASHER        | RONDELLE          | SCHEIBE          |         |
| 507  | 22041940/0 | 1    | BUSSOLA FRIZIONE  | CLUTCH BUSH   | DOUILLE FRICTION  | KUPPLUNGSSCHEIBE |         |
| 508  | 12736850/0 | 1    | VITE              | SCREW         | VIS               | SCHRAUBE         |         |



5

05D\_022



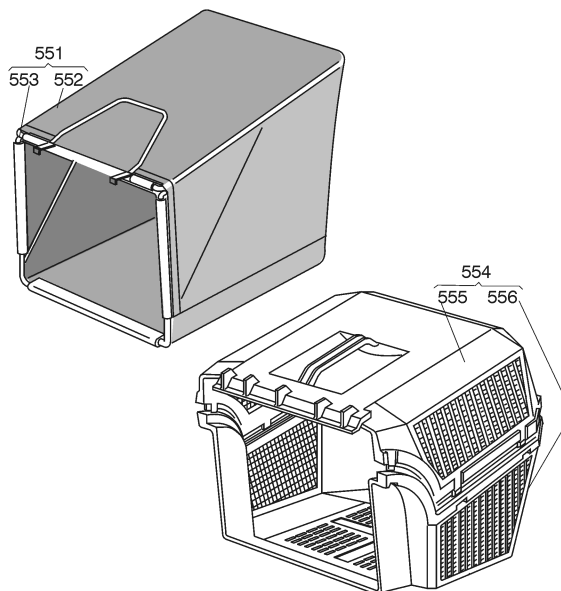
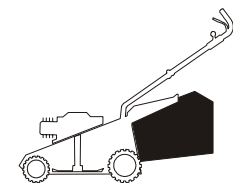
## VARIANTE MULCHING - MULCHING MODIFICATION - MODIFICATION MULCHING - ÄNDERUNGEN MULCHING

05T\_024

| Pos. | Code       | Q.ty | Descrizione       | Description    | Description        | Beshreibung        | Remarks |
|------|------------|------|-------------------|----------------|--------------------|--------------------|---------|
| 531  | 22463012/1 | 1    | MOZZO             | HUB            | MOYEU              | HALTER             |         |
| 532  | 81004381/1 | 1    | COLTELLO STANDARD | BLADE STANDARD | LAME STANDARD      | MESSER STANDARD    |         |
| 533  | 22160400/0 | 1    | DISCO ELASTICO    | ELASTIC WASHER | RONDELLE ELASTIQUE | ELASTISCHE SCHEIBE |         |
| 534  | 12523080/0 | 1    | RONDELLA          | WASHER         | RONDELLE           | SCHEIBE            |         |
| 535  | 12735698/0 | 1    | VITE              | SCREW          | VIS                | SCHRAUBE           |         |
| 536  | 12139100/0 | 1    | LINGUETTA         | FEATHER        | CLAVETTE           | KEIL               |         |

6

06D\_004



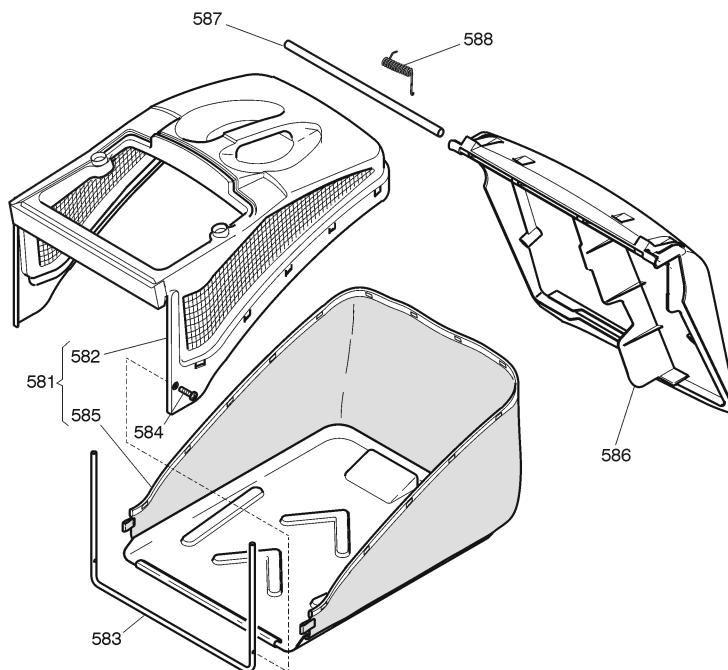
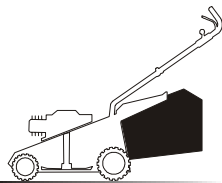
06T\_005

| Pos. | Code       | Q.ty | Descrizione             | Description                    | Description            | Beshreibung     | Remarks |
|------|------------|------|-------------------------|--------------------------------|------------------------|-----------------|---------|
| 551  | 96400000/0 | 1    | SACCO IN TELA, COMPLETO | GRASSCATCHER, CANVASS COMPLETE | SAC EN TOILE, COMPLETE | SACK, KOMPLETTE |         |
| 552  | 81002124/1 | 1    | SACCO, TELA             | BOX, FABRIC                    | SAC, TOILE             | SACK, TUCK      |         |
| 553  | 81006430/0 | 1    | TELAIO SACCO            | CHASSIS BOX                    | CHÄSSIS BAC            | RAHMEN SACK     |         |
| 554  | 96500000/0 | 1    | SACCO, COMPLETO         | GRASSCATCHER, COMPLETE         | SAC, COMPLETE          | SACK, KOMPLETTE |         |
| 555  | 22486065/0 | 1    | SACCO, PARTE SUP        | GRASS-BOX, UPPER PART          | SAC, PARTIE SUPERIEURE | KORB, OBERTEIL  |         |
| 556  | 22486064/0 | 1    | SACCO, PARTE INF        | GRASS-BOX, LOWER PART          | SAC, PARTIE INFERIEURE | KORB, UNTERTEIL |         |



6

06D\_010

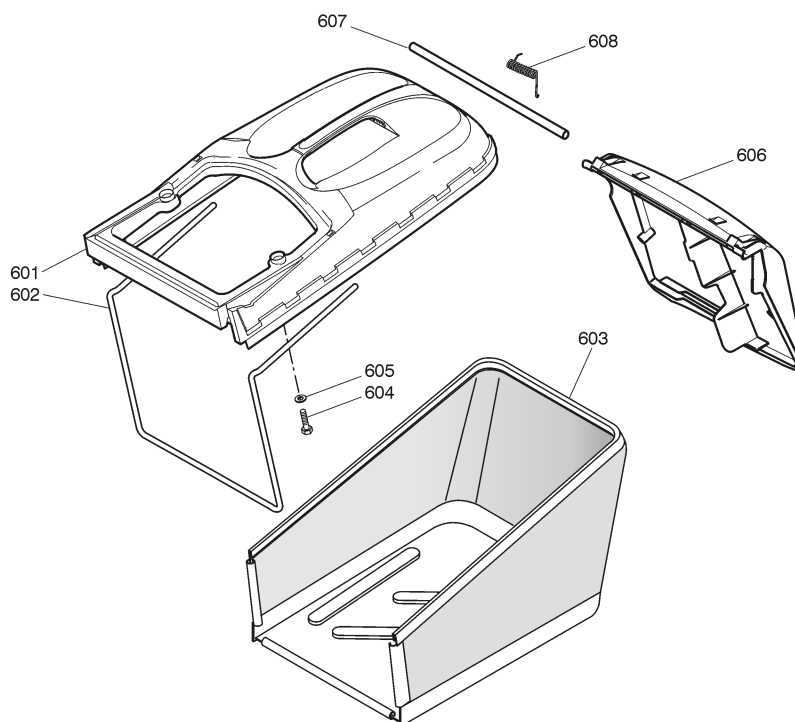
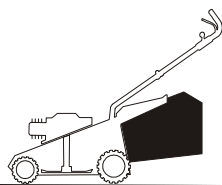


06T.006

| Pos. | Code       | Q.ty | Descrizione      | Description           | Description            | Beschreibung       | Remarks |
|------|------------|------|------------------|-----------------------|------------------------|--------------------|---------|
| 581  | 92140000/1 | 1    | SACCO COMPLETO   | GRASS-BOX, COMPLETE   | BAC COMPLET            | KORB, KOMPLETTE    |         |
| 582  | 22486094/0 | 1    | SACCO, PARTE SUP | GRASS-BOX, UPPER PART | SAC, PARTIE SUPERIEURE | KORB, OBERTEIL     |         |
| 583  | 22608524/0 | 1    | RINFORZO INF     | STIFFENING LOWER      | RÉNFORCEMENT INF       | VERSTÄRKUNG UNTERE |         |
| 584  | 12728445/0 | 2    | VITE             | SCREW                 | VIS                    | SCHRAUBE           |         |
| 585  | 81002196/0 | 1    | SACCO, TELA      | BOX, FABRIC           | SAC, TOILE             | SACK, TUCK         |         |
| 586  | 22600066/2 | 1    | PARASASSI        | STONE-GUARD           | PARE-PIERRES           | PRALLBLECH         |         |
| 587  | 22517856/0 | 1    | PERNO            | PIN                   | PIVOT                  | BOLZEN             |         |
| 588  | 22451000/0 | 1    | MOLLA            | SPRING                | RESSORT                | FEDER              |         |

6

06D\_011



06T.011

| Pos. | Code       | Q.ty | Descrizione      | Description           | Description            | Beschreibung   | Remarks |
|------|------------|------|------------------|-----------------------|------------------------|----------------|---------|
| 601  | 22486102/0 | 1    | SACCO, PARTE SUP | GRASS-BOX, UPPER PART | SAC, PARTIE SUPERIEURE | KORB, OBERTEIL |         |



## GLOBAL GARDEN PRODUCTS

06T.011

| Pos. | Code       | Q.ty | Descrizione  | Description      | Description      | Beshreibung        | Remarks |
|------|------------|------|--------------|------------------|------------------|--------------------|---------|
| 602  | 22608526/0 | 1    | RINFORZO INF | STIFFENING LOWER | RÉNFORCEMENT INF | VERSTÄRKUNG UNTERE |         |
| 603  | 81002212/0 | 1    | SACCO, TELA  | BOX, FABRIC      | SAC, TOILE       | SACK, TUCK         |         |
| 604  | 12728680/0 | 2    | VITE         | SCREW            | VIS              | SCHRAUBE           |         |
| 605  | 12523050/0 | 2    | RONDELLA     | WASHER           | RONDELLE         | SCHEIBE            |         |
| 606  | 22600066/2 | 1    | PARASASSI    | STONE-GUARD      | PARE-PIERRES     | PRALLBLECH         |         |
| 607  | 22517857/0 | 1    | PERNO        | PIN              | PIVOT            | BOLZEN             |         |
| 608  | 22451000/0 | 1    | MOLLA        | SPRING           | RESSORT          | FEDER              |         |